

DETAILED WRITTEN INSTALLATION INSTRUCTIONS

1. Thread hot and cold hoses through bath filler riser.
2. Attach the hoses onto the bath filler tap assembly. Tighten with spanner.
3. Screw on bath filler tap assembly onto riser. Please ensure mating surfaces are flush with zero gap.
4. Hoses should protrude past the riser flange approximately 40mm.
5. Attach hoses one their respective hot and cold ½" BSP male threads in floor.
6. Please refer to diagram for assembly of three screws. Please ensure flange nut is sandwiched between the head of the screw and the riser flange.
7. Once all three screws have been fastened onto the floor, hand tighten cap onto flange nut.
8. Press fit spout onto bath filler tap assembly until spout bottoms out with tap assembly. Screw in grub screw using provided 2mm Allen Key. The nylon on the swivel has a gap. This gap must be aligned with the grub screw when inserted.
9. Do up grub screw all the way until it stops, then relieve back slightly to allow spout to swivel. Still check if spout is already installed to the tap assembly. Grub screw should not be visible from end users front view.

IMPORTANT Maximum hot water temperature 65°C and 500 kPa Maximum operating pressure at any outlet within a building (Ref AS/NZS 3500)

WARRANTY The Company accepts responsibility for any fault due to the Company's own workmanship or materials except for subjective variations or random unavoidable blemishes of a minor non-functional nature. This acceptance of responsibility is for 5 years from the date of installation, proof of which may be required.

Last Review Date: 10/03/2021



CB IDEAL TAPWARE PTY LTD

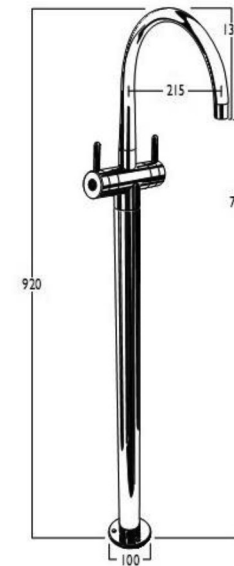
1A DELORAINIE ROAD, EDWARDSTOWN S.A. 5039

PH: (08) 8276 6766 | sales@cbideal.com.au

ABN: 98 156 625035 | ACN: 156 625 035

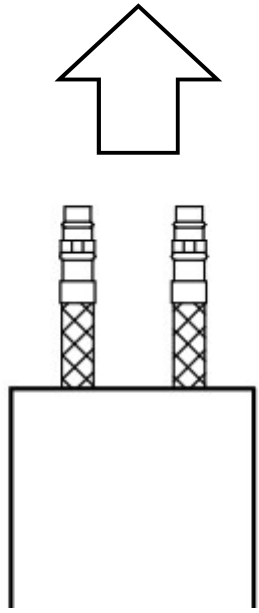
CB IDEAL FLOOR MOUNTED BATH FILLER WITH FLOLINE OUTLET

INSTALLATION INSTRUCTIONS

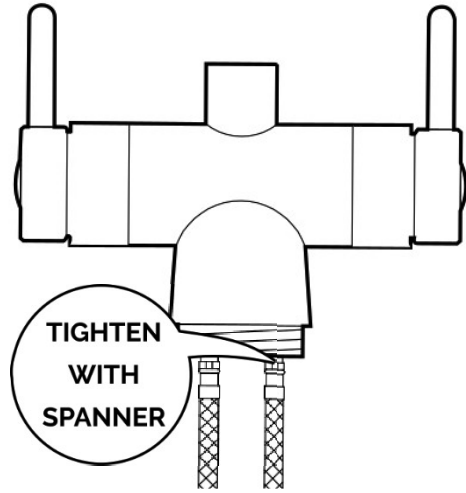


www.cbideal.com.au | sales@cbideal.com.au

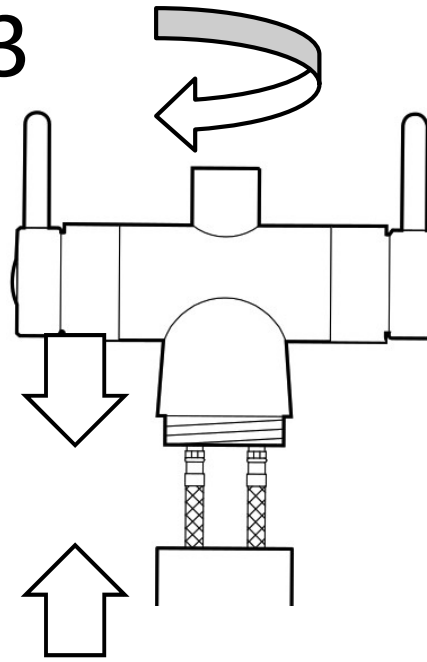
1



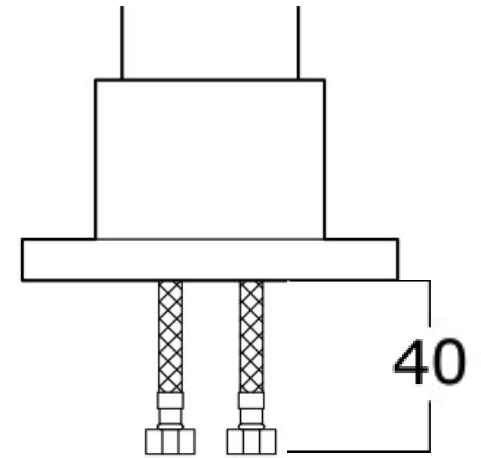
2



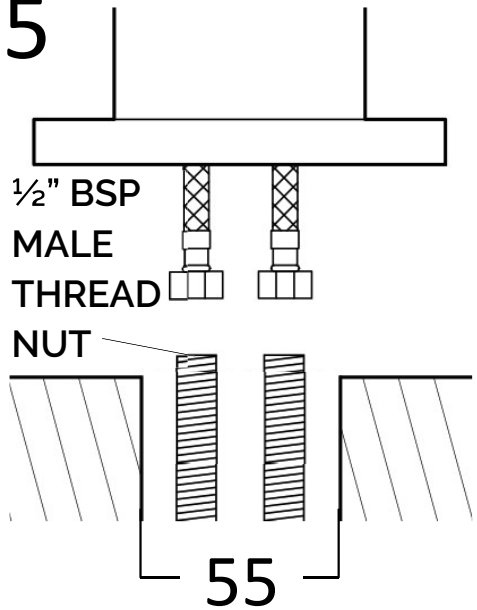
3



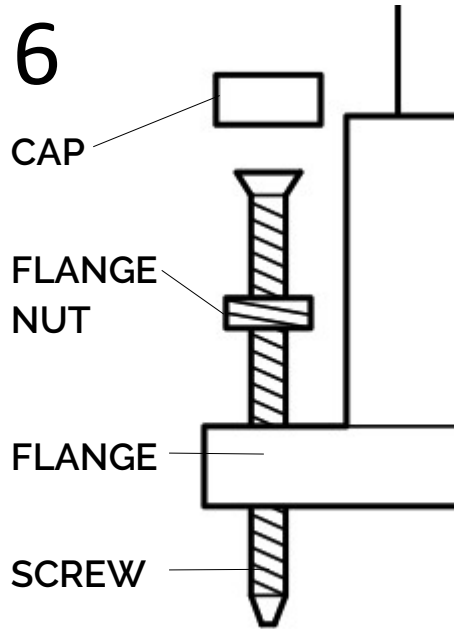
4



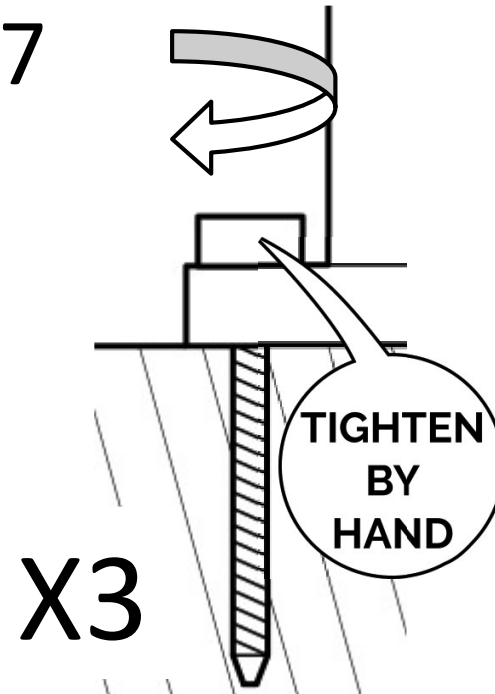
5



6



7



8

