

## DETAILED WRITTEN INSTALLATION INSTRUCTIONS

In bench requirements – Minimum 33mm diameter bench hole required for installation.

1. Tighten both bolts by hand onto the Duo Mixer.
2. Align hot and cold tubing to Duo Mixer body and tighten by hand.
3. Tighten with spanner, do not overtighten.
4. Thread bolts and tubing through benchtop.
5. Thread duo bracket through the bolts along with the washer and nut.
6. Tighten with both nuts with spanner until duo bracket is firmly fastened onto the bench.
7. Locate spout onto Duo Mixer (If spout is already assembled step 7 is not necessary)
8. Firmly attach spout to Duo Mixer body and screw in grub screw using provided 2mm Allen Key. The nylon on the swivel has a gap. This gap must be aligned with the grub screw when inserted.
9. Do up grub screw all the way until it stops, then relieve back slightly to allow spout to swivel. Still check if spout is already installed to tap body. Grub screw should not be visible from end users front view.



CB IDEAL TAPWARE PTY LTD

1A DELORAINIE ROAD, EDWARDSTOWN S.A. 5039

PH: (08) 8276 6766 | sales@cbideal.com.au

ABN: 98 156 625035 | ACN: 156 625 035

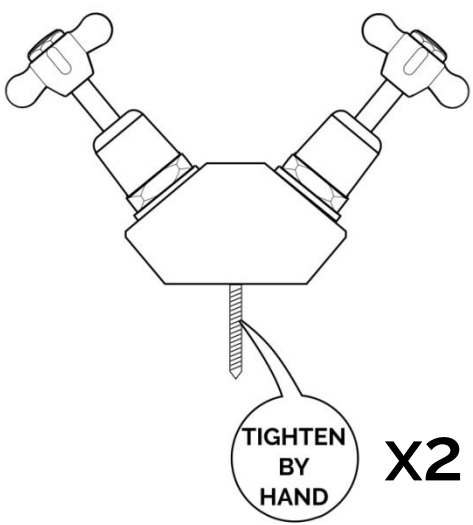
# DUO MIXER

## INSTALLATION INSTRUCTIONS

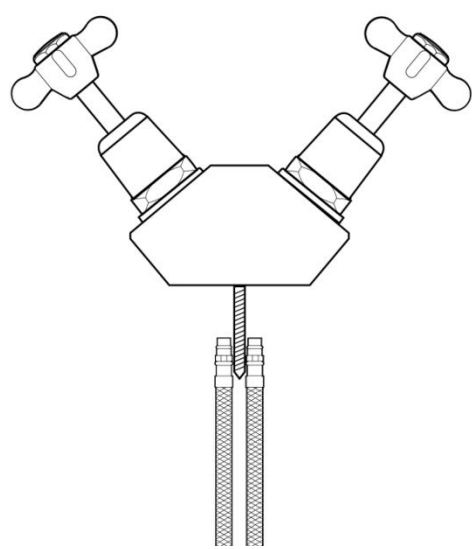


[www.cbideal.com.au](http://www.cbideal.com.au) | [sales@cbideal.com.au](mailto:sales@cbideal.com.au)

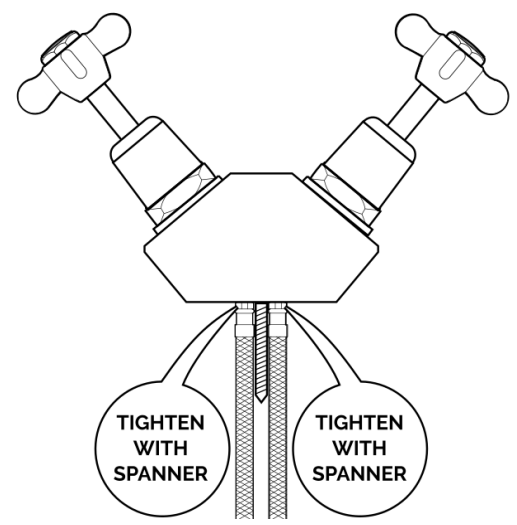
1



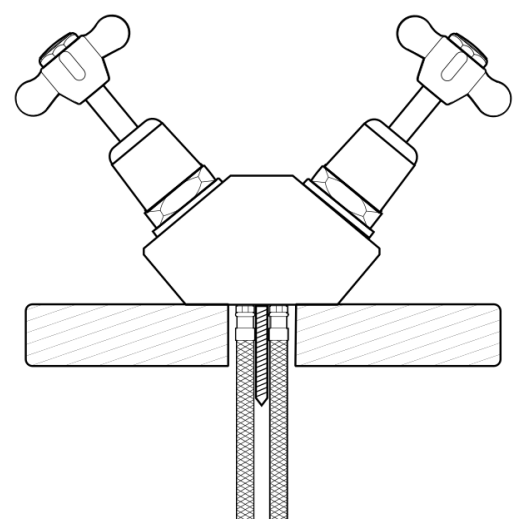
2



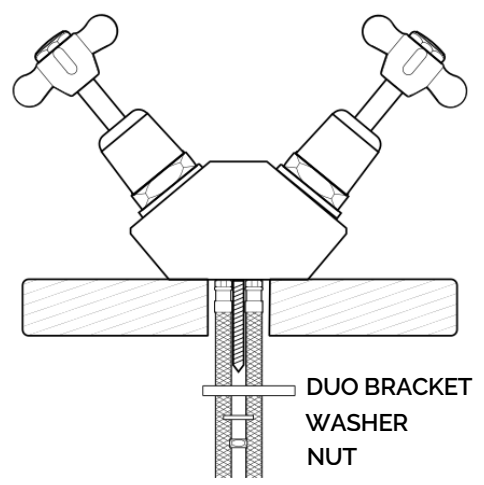
3



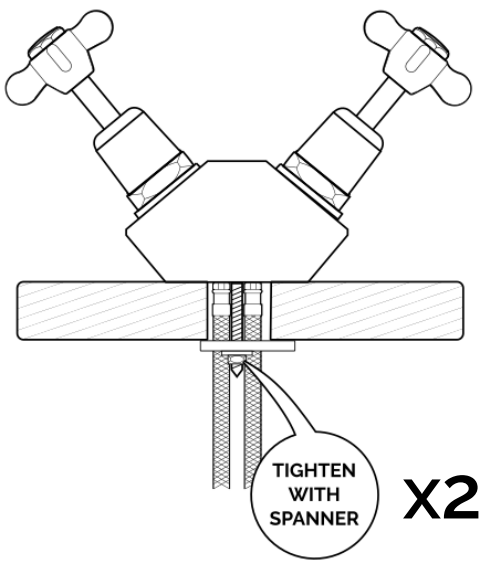
4



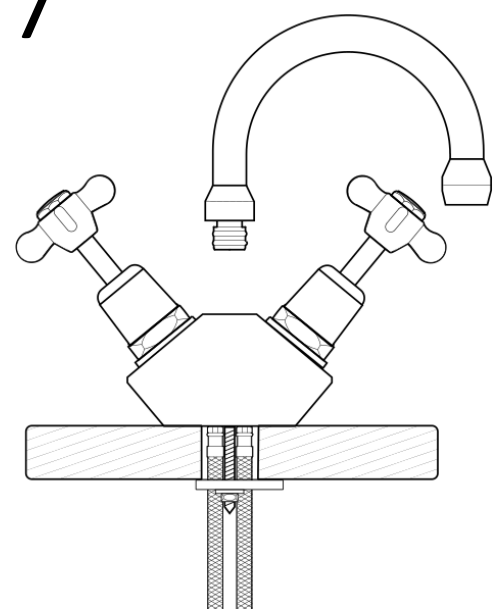
5



6



7



8

