

Installation Instructions

In wall requirement: Plumber to supply and install a 1/2" BSP male thread in wall.
This set requires a separate wall mixer or wall top assemblies to be paired with it.

1. Install the diverter body on to the in-wall thread (use thread tape).
2. Install the pillar clips on the wall at a suitable point vertically above and below the diverter, to hold the shower riser tubes. (the pillar clips both as high as possible and as low as possible, so not to impede movement of the hand shower slider). You will need to leave half of the C clamps off at this stage which will be added and tightened later once the riser pipes have been installed.
3. Separately fit the arch shower arm on the top riser and tighten with thread tape.
4. Slide the compression nut and olive onto top riser tube and insert the riser into the top of the diverter assembly, tighten the compression nut firmly with a spanner. Add the 2nd half of the pillar clip's C clamp and tighten the clamp screw with a flat-head screwdriver. TAKE CARE – as the riser tube can be easily scratched by pillar clip.
5. The slider needs to be added onto the lower riser tube at this time if not already on it. Slide the compression nut and olive onto lower riser tube and insert the riser into the bottom of the diverter assembly, tighten the compression nut firmly with a spanner. Add the 2nd half of the pillar clip's C clamp and tighten the clamp screw with a flat-head screwdriver. Again, TAKE CARE – as the riser tube can be easily scratched by pillar clip.
6. Add and tighten the hose and handshower fittings by hand, except the backflow prevention piece which will require thread tape.
7. Attach overhead shower rose with thread tape.
8. You can choose to orient the diverter lever to be pointed downwards. To do this, undo the octagonal retaining nut and pull the lever handle off the crank spline. Put the handle on with the new preferred orientation and do up the octagonal nut.

*If doing this, please note that the octagonal handle retaining nut only needs to be **lightly** tightened as it is only there to prevent the external handle coming off the crank spline. It does not hold in any of the diverter internals.*

IMPORTANT: Maximum hot water temperature 65°C and 500 kPa Maximum operating pressure at any outlet within a building (Ref AS/NZS 3500)

WARRANTY: The Company accepts responsibility for any fault due to the Company's own workmanship or materials except for subjective variations or random unavoidable blemishes of a minor non-functional nature. This acceptance of responsibility is for 5 years from the date of installation, proof of which may be required.



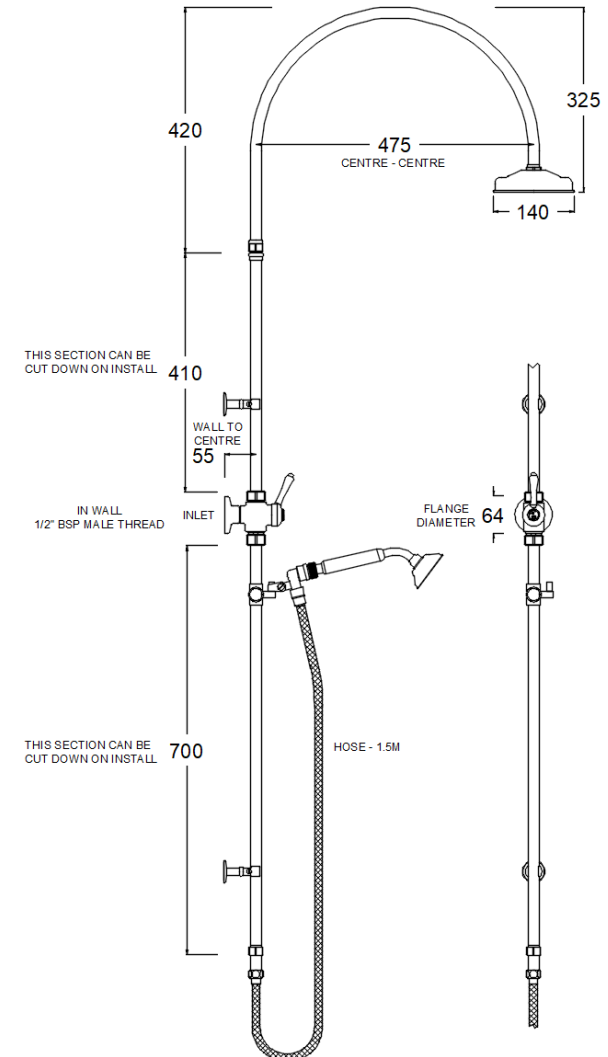
CB IDEAL TAPWARE PTY LTD

1A DELORAINE ROAD, EDWARDSTOWN S.A. 5039

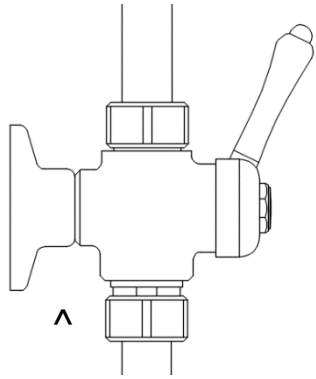
PH: (08) 8276 6766 | sales@cbideal.com.au

ABN: 98 156 625035 | ACN: 156 625 035

SA9616 TWIN ARCH SHOWER WITH HIGH 458 DIVERTER

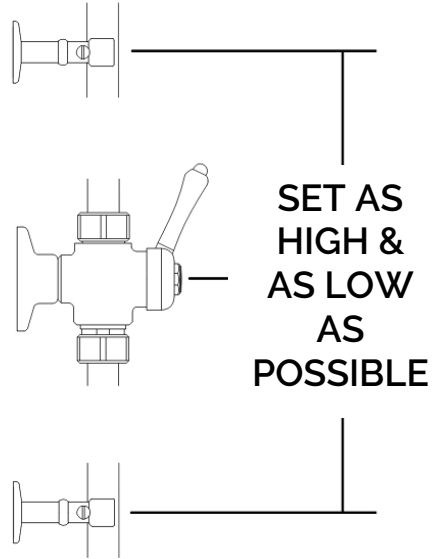


1



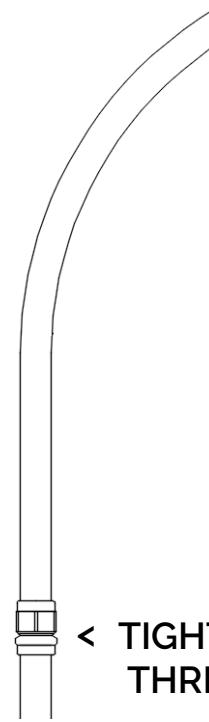
INSTALL DIVERTER BODY TO WALL WITH THREAD TAPE

2



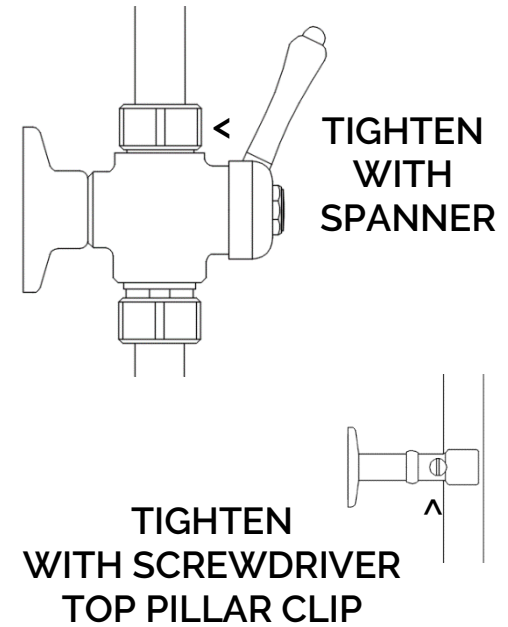
SET AS HIGH & AS LOW AS POSSIBLE

3



TIGHTEN WITH THREAD TAPE

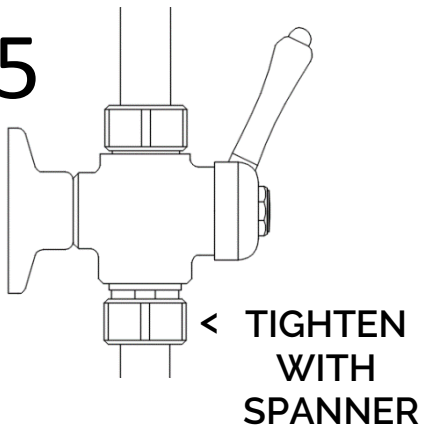
4



TIGHTEN WITH SPANNER

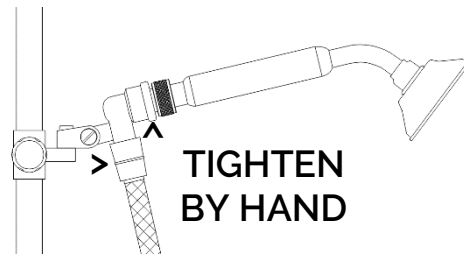
TIGHTEN WITH SCREWDRIVER TOP PILLAR CLIP

5



TIGHTEN WITH SPANNER

6



TIGHTEN BY HAND

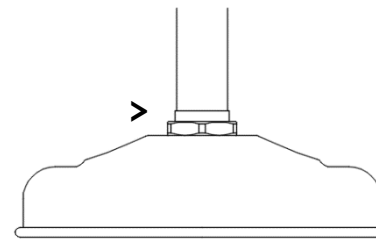
TIGHTEN WITH THREAD TAPE

TIGHTEN WITH SCREWDRIVER LOWER PILLAR CLIP

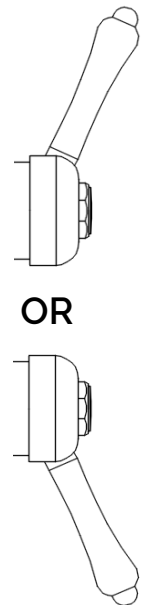
TIGHTEN BY HAND

7

TIGHTEN WITH THREAD TAPE



8 (OPTIONAL)



OR