

## DETAILED WRITTEN INSTALLATION INSTRUCTIONS

1. Install Wall Mixer Base and connect pipe work to hot and cold inlets. You may orientate the base as required for your application.  
**The in-wall body's outlet should be aligned vertically up or down.**
2. Once installed screw on the Wall Mixer's central section.
3. Insert the supplied cartridge with the correct orientation and press in. It is a tight fit but it will go in. Do not hit with a hammer or other tool as this can damage the cartridge.
4. Screw on the retaining ring. If the cartridge is not in correctly it will not screw down. Nip with a spanner but do not over tighten.
5. Slowly press the cover plate down the body of the mixer to the wall. Be careful not to scratch the metal finish during this process. The o-ring in the cover plate will hold it in position against the wall.
6. Add the Handle on to the cartridge at the desired orientation.
7. Screw in the small retaining screw.
8. Lastly press in the indicator button at the desired orientation.



CB IDEAL TAPWARE PTY LTD

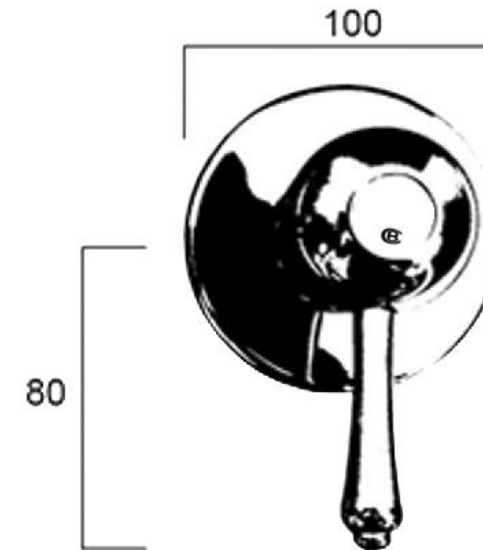
1A DELORAINIE ROAD, EDWARDSTOWN S.A. 5039

PH: (08) 8276 6766 | sales@cbideal.com.au

ABN: 98 156 625035 | ACN: 156 625 035

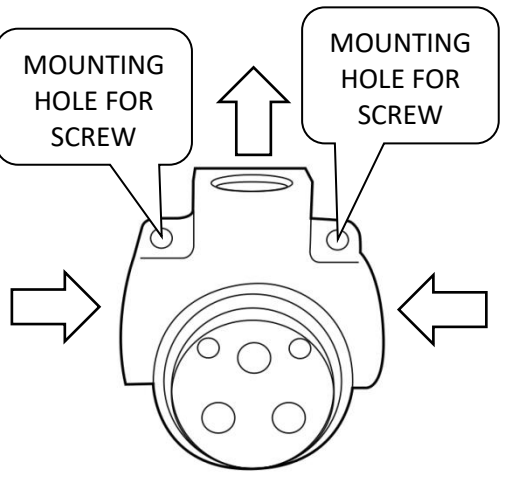
## WALL MIXER

### INSTALLATION INSTRUCTIONS

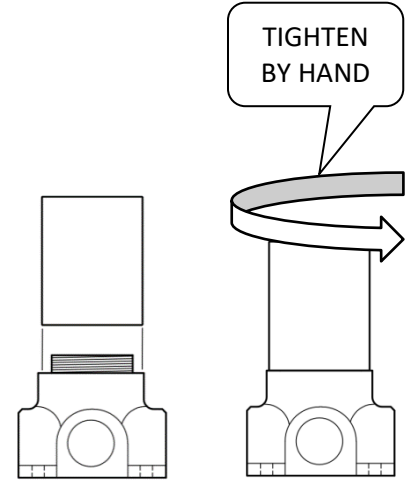


[www.cbideal.com.au](http://www.cbideal.com.au) | [sales@cbideal.com.au](mailto:sales@cbideal.com.au)

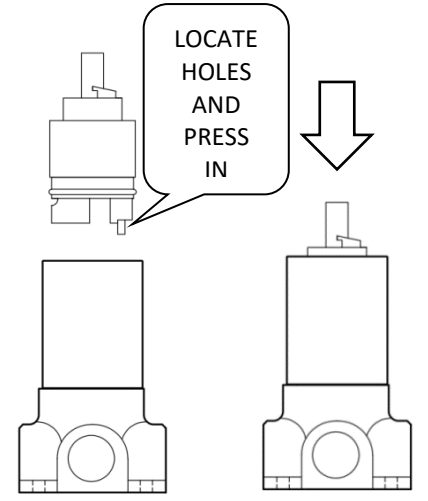
1



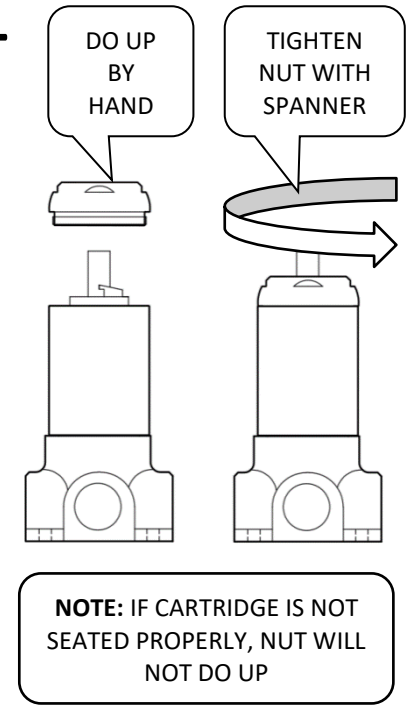
2



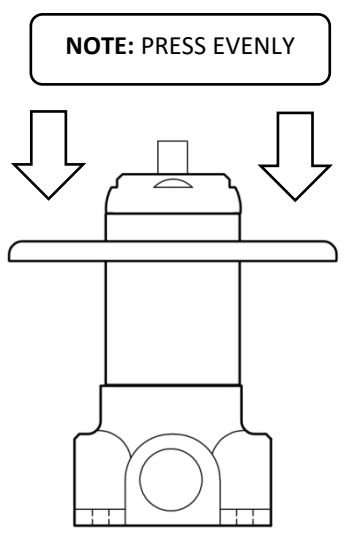
3



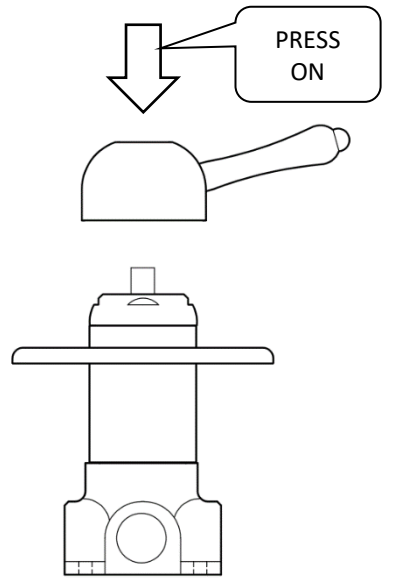
4



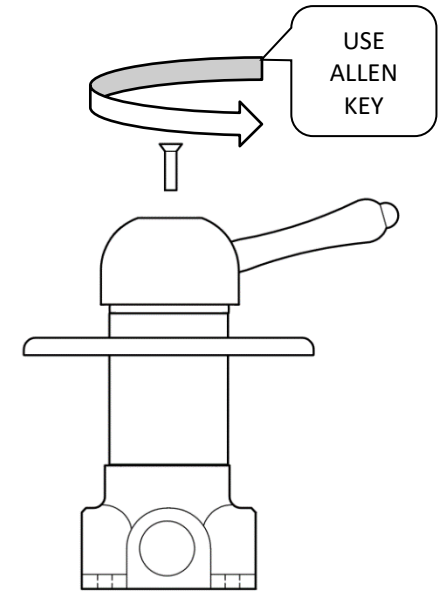
5



6



7



8

