

## DETAILED WRITTEN INSTALLATION INSTRUCTIONS

In wall requirements –2 x ½” BSP male threads at 150mm centres

1. Thread wall flange onto ½” BSP male threads on the wall.
2. Tighten with a thread sealant such as thread tape.
3. Tighten both nuts on either side of the breech with a spanner.
4. Prepare spout to be assembled onto breech.
5. Firmly attach spout to breech making sure surfaces are flush.
6. Please ensure that you tighten the grub screw using the following instructions: screw in grub screw using provided Allen Key. The swivel has a gap. This gap must be aligned with the grub screw when inserted.
7. Tighten to suit desired swivel movement. You can tighten further to make the outlet fixed in position. Grub screw should not be visible from end users front view.

**IMPORTANT** Maximum hot water temperature 65°C and 500 kPa Maximum operating pressure at any outlet within a building (Ref AS/NZS 3500)

**WARRANTY** The Company accepts responsibility for any fault due to the Company’s own workmanship or materials except for subjective variations or random unavoidable blemishes of a minor non-functional nature. This acceptance of responsibility is for 5 years from the date of installation, proof of which may be required.

Last Review Date: 10/03/2021



CB IDEAL TAPWARE PTY LTD

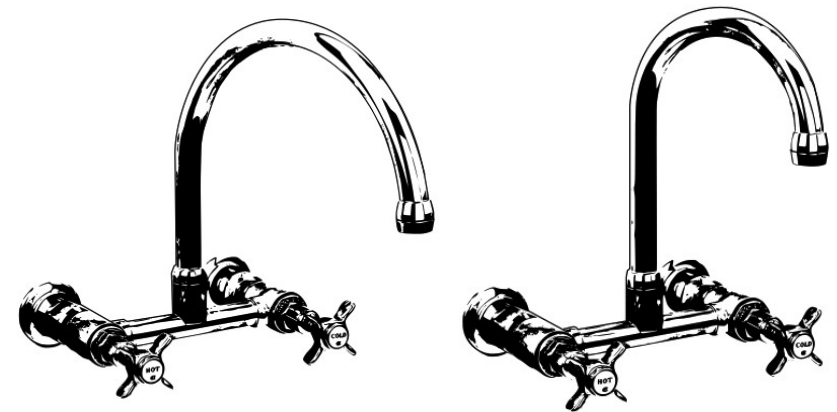
1A DELORAINIE ROAD, EDWARDSTOWN S.A. 5039

PH: (08) 8276 6766 | sales@cbideal.com.au

ABN: 98 156 625035 | ACN: 156 625 035

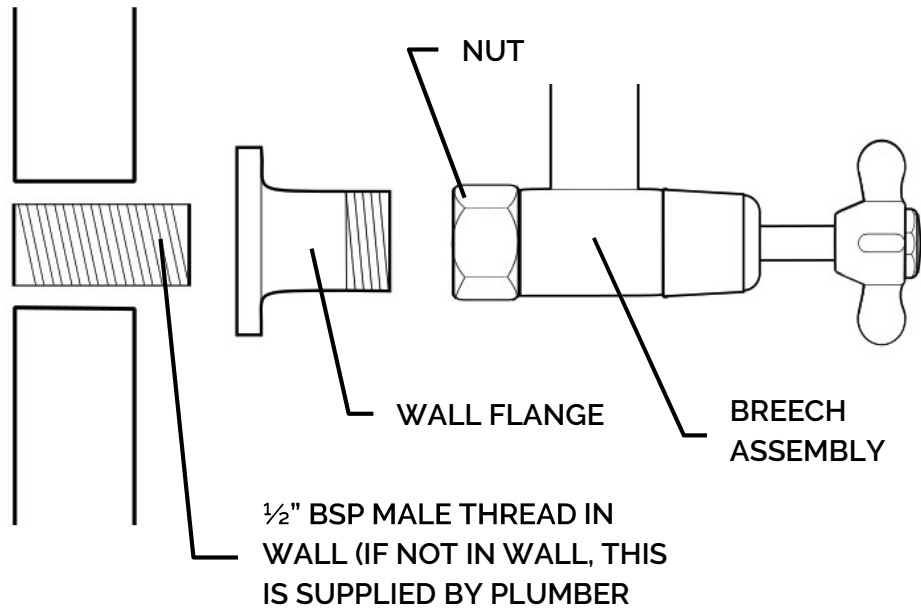
# EXPOSED WALL SINK SET WITH STRAIGHT BREECH

## INSTALLATION INSTRUCTIONS

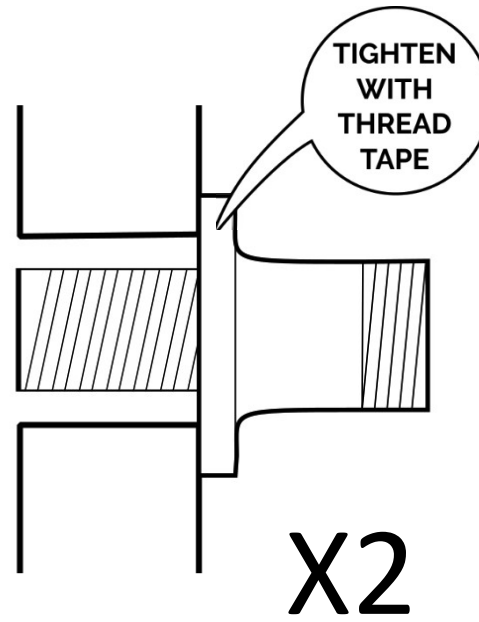


[www.cbideal.com.au](http://www.cbideal.com.au) | [sales@cbideal.com.au](mailto:sales@cbideal.com.au)

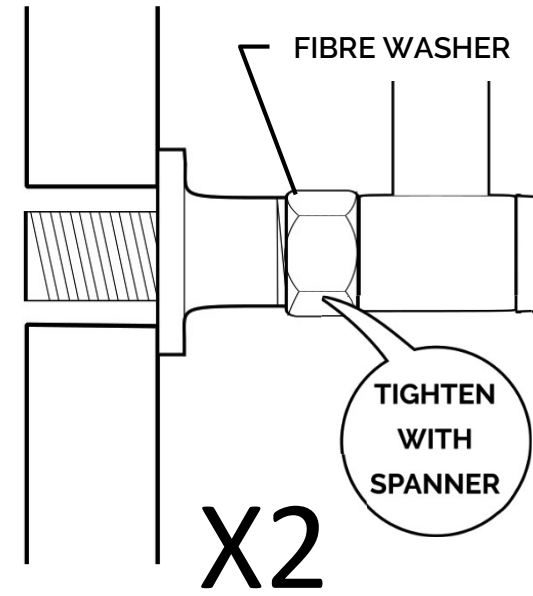
1



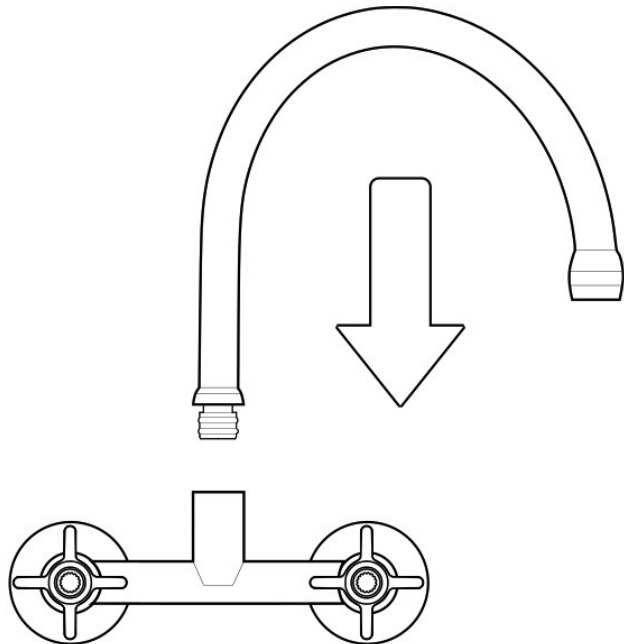
2



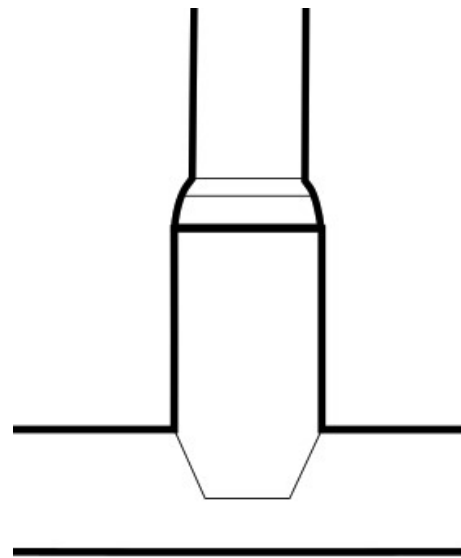
3



4



5



6

