

## DETAILED WRITTEN INSTALLATION INSTRUCTIONS

In wall requirements –2 x ½" BSP male threads at 150mm centres

1. Screw Back Flanges onto male threads (*one each nipple*) from set as supplied. Install pressed flanges and taps onto in-wall threads (*use thread tape*) with outlets of taps pointing upwards.
2. Install pillarclips on wall at suitable point vertically above centre thread on tap, to hold shower riser tube (Approximately half the length of the riser tube above tap)
3. Fit riser tubes on both inlets of breaching assembly. Tighten with thread tape.
4. Fit nuts and olives on to both riser tubes. Fit shower riser tubes into tap assemblies and tighten nuts onto tap assemblies with spanner.
5. Fit arm on the riser and tighten with thread tape.
6. Install pillarclip on wall approximately half the length of the riser tubes. Fit nuts and olive on riser tube. Fit riser tube into breaching outlet and tighten with spanner.
7. Tighten pillarclips with a flathead screwdriver. TAKE CARE – as the riser tube can be easily scratched by pillar clip.
8. Attach rose with thread tape.

**IMPORTANT** Maximum hot water temperature 65°C and 500 kPa Maximum operating pressure at any outlet within a building (Ref AS/NZS 3500)

**WARRANTY** The Company accepts responsibility for any fault due to the Company's own workmanship or materials except for subjective variations or random unavoidable blemishes of a minor non-functional nature. This acceptance of responsibility is for 5 years from the date of installation, proof of which may be required.



CB IDEAL TAPWARE PTY LTD

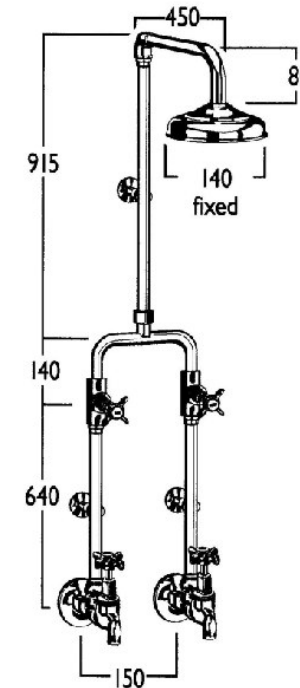
1A DELORAINE ROAD, EDWARDSTOWN S.A. 5039

PH: (08) 8276 6766 | sales@cbideal.com.au

ABN: 98 156 625035 | ACN: 156 625 035

# TUBULAR/BATH SHOWER SET

## INSTALLATION INSTRUCTIONS



[www.cbideal.com.au](http://www.cbideal.com.au) | [sales@cbideal.com.au](mailto:sales@cbideal.com.au)

