

DETAILED WRITTEN INSTALLATION INSTRUCTIONS

In floor requirements –2 x ½” BSP male threads at 165mm centres.

1. Mount risers onto male threads in the ground at 165mm centres, turn until fully seated and with elbow outlet facing forward.
2. Assemble fibre washer onto union tail and make sure it is well seated onto the union nut.
3. & 4. Screw union nut and tail into elbow, tighten union tail making sure you use thread sealant and making sure that union nut can freely spin. Put fibre washer in after.
5. Tighten Diverter assembly onto union nuts by hand making sure Diverter assembly is upright. Tighten with spanner.
6. Hand tighten hose onto diverter assembly.
7. Hand tighten hose onto microphone hand shower.
8. Assemble the spout onto the diverter assembly. Screw in grub screw using provided 2mm Allen Key. The nylon on the swivel has a gap. This gap must be aligned with the grub screw when inserted.
9. Do up grub screw all the way until it stops, then relieve back slightly to allow spout to swivel. Still check if spout is already installed to the breach.

IMPORTANT Maximum hot water temperature 65° C and 500 kPa Maximum operating pressure at any outlet within a building (Ref AS/NZS 3500)

WARRANTY The Company accepts responsibility for any fault due to the Company's own workmanship or materials except for subjective variations or random unavoidable blemishes of a minor non-functional nature. This acceptance of responsibility is for 5 years from the date of installation, proof of which may be required.

Last Review Date: 18/01/2022



CB IDEAL TAPWARE PTY LTD

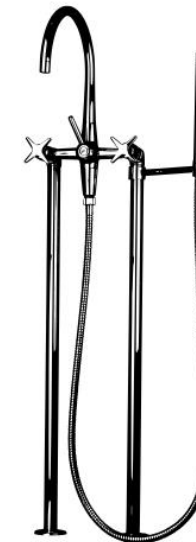
1A DELORAINIE ROAD, EDWARDSTOWN S.A. 5039

PH: (08) 8276 6766 | sales@cbideal.com.au

ABN: 98 156 625035 | ACN: 156 625 035

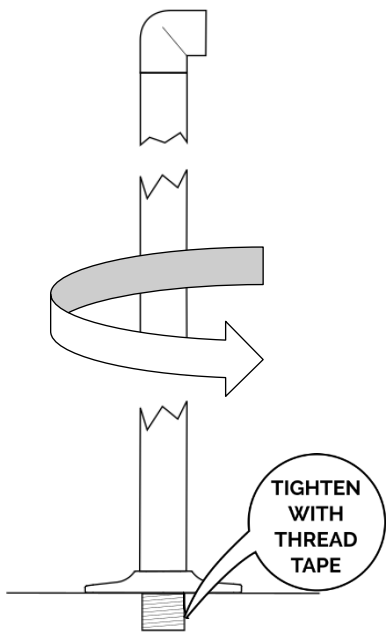
CB IDEAL SEAVIEW NEO-CLASSIC REVERSE DIVERTER SET WITH FLOLINE BATH/SPA OUTLET & MICROPHONE HANDSHOWER

INSTALLATION INSTRUCTIONS

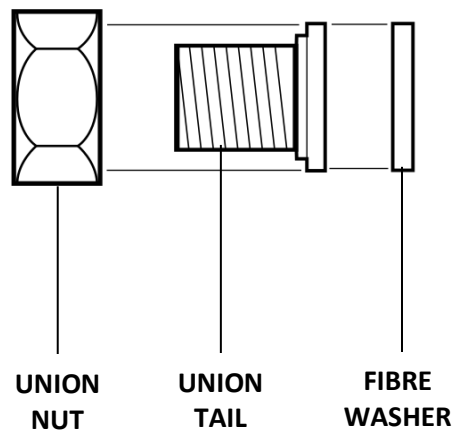


www.cbideal.com.au | sales@cbideal.com.au

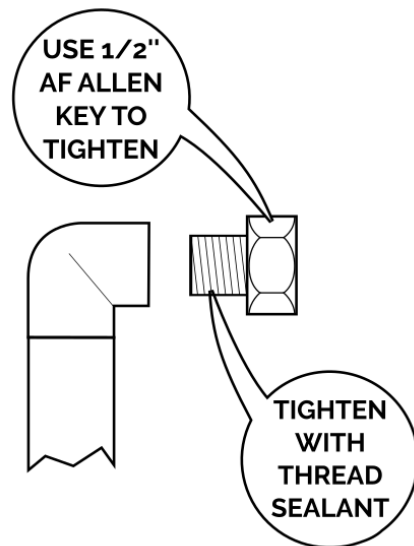
1



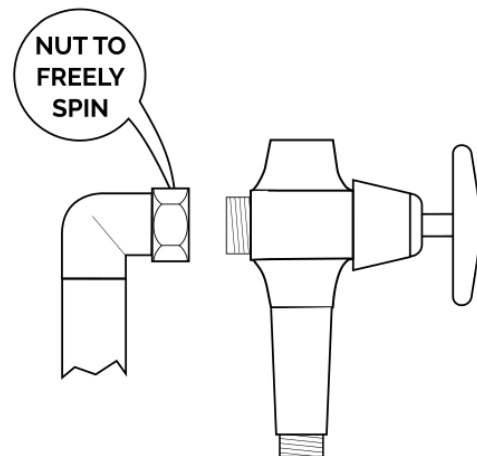
2



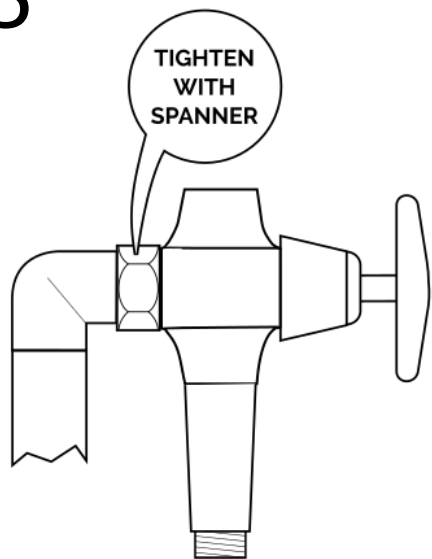
3



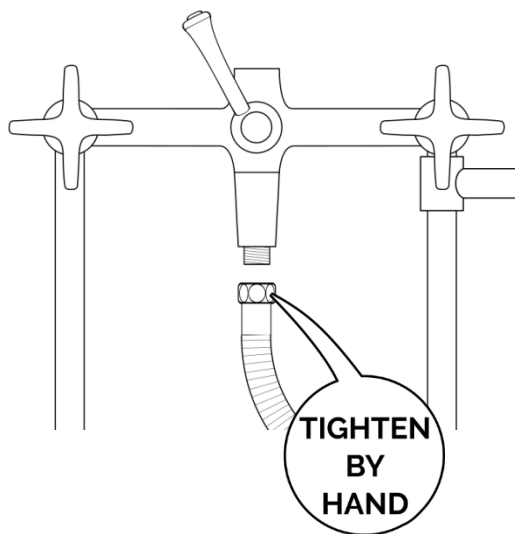
4



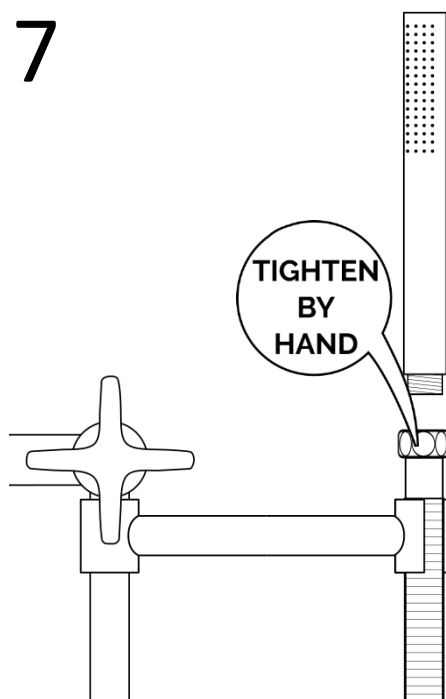
5



6



7



8

