

DETAILED WRITTEN INSTALLATION INSTRUCTIONS

The hole in bench requirement is 32mm in diameter.

1. Place flick mixer base and tail into hole in the bench
2. Screw on lock nut and washer under the bench. Nip tight to hold but leave loose enough to allow adjustment in orientation of the base later.
3. Push up first flexible hose up through the bench (through the flick mixer base fitting).
4. Screw in first flexible hose to flick mixer body. The cold hose matches the side of the cold indicator. (see diagram).
5. Push up the second flexible hose up through the bench (through the flick mixer base fitting). Screw in the second flexible hose to flick mixer body. The hot hose matches the side of the hot indicator.
6. Screw on top assembly of flick mixer until tight by hand.
7. Tighten under bench lock nut once happy with the orientation of the flick mixer body.
8. Insert outlet and screw in grub screw using provided Allen Key. The nylon on the swivel has a gap. This gap must be aligned with the grub screw when inserted.
9. Tighten to suit desired swivel movement. You can tighten further to make the outlet fixed in position. Grub screw should not be visible from end users front view.
10. Connect flexible hoses to water point.



CB IDEAL TAPWARE PTY LTD

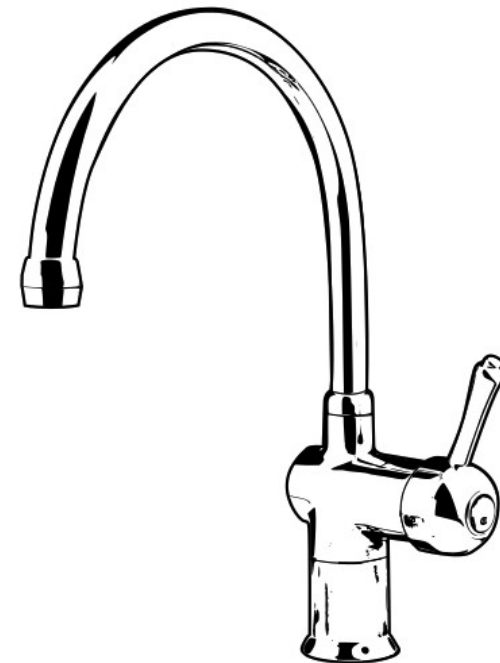
1A DELORAINIE ROAD, EDWARDSTOWN S.A. 5039

PH: (08) 8276 6766 | sales@cbideal.com.au

ABN: 98 156 625035 | ACN: 156 625 035

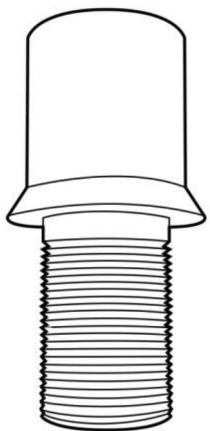
FLICK MIXER

INSTALLATION INSTRUCTIONS

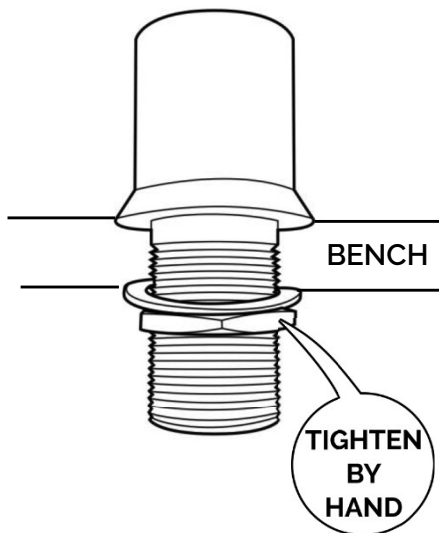


www.cbideal.com.au | sales@cbideal.com.au

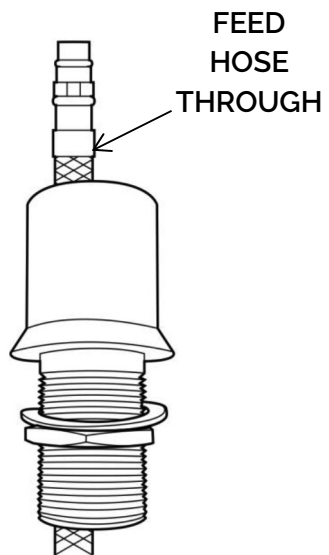
1



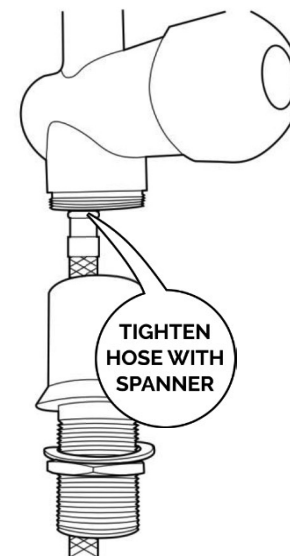
2



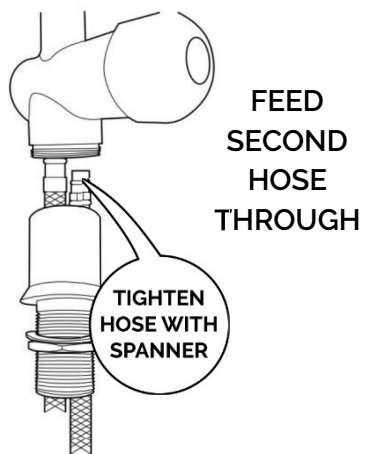
3



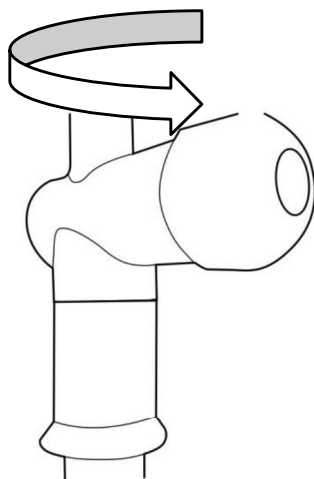
4



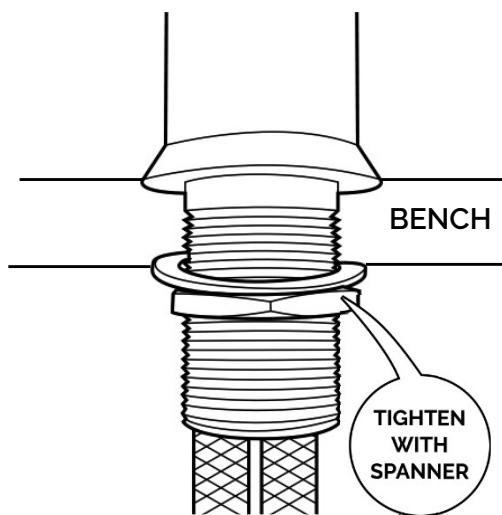
5



6



7



8

