

DETAILED WRITTEN INSTALLATION INSTRUCTIONS

In bench requirements – Centre hole to be 25.4mm and 2 x 32mm holes with spacing of between 130-215mm centre to centre.

1. Thread spout tail through centre hole on the bench ensuring washers are in their correct place as per illustration.
2. Tighten the nut with a spanner.
3. Assemble the two stops onto tee piece and thread through two holes on the bench at either side of the spout ensuring tee outlet is inserted through spout inlet. Hand tighten the nuts to secure the breach assembly in place. Once in place, tighten compression nut which joins the tee to the stops using a spanner.
4. Tighten the nut with spanner. Please ensure the stop does not protrude past the top surface of the nut.
5. Before assembling flange, make sure clear washer is threaded through the bonnet. Assemble flange onto bonnet as per illustration and tighten by hand.
6. Assemble the knob onto the spindle and tighten the button with a spanner. If you purchased a set with a swivel outlet please ensure that you tighten the grub screw using the following instructions: First Insert outlet and screw in grub screw using provided Allen Key. The nylon on the swivel has a gap. This gap must be aligned with the grub screw when inserted. Tighten to suit desired swivel movement. You can tighten further to make the outlet fixed in position. Grub screw should not be visible from end users front view.

IMPORTANT Maximum hot water temperature 65°C and 500 kPa Maximum operating pressure at any outlet within a building (Ref AS/NZS 3500)

WARRANTY The Company accepts responsibility for any fault due to the Company's own workmanship or materials except for subjective variations or random unavoidable blemishes of a minor non-functional nature. This acceptance of responsibility is for 5 years from the date of installation, proof of which may be required.

Last Review Date: 10/03/2021



CB IDEAL TAPWARE PTY LTD

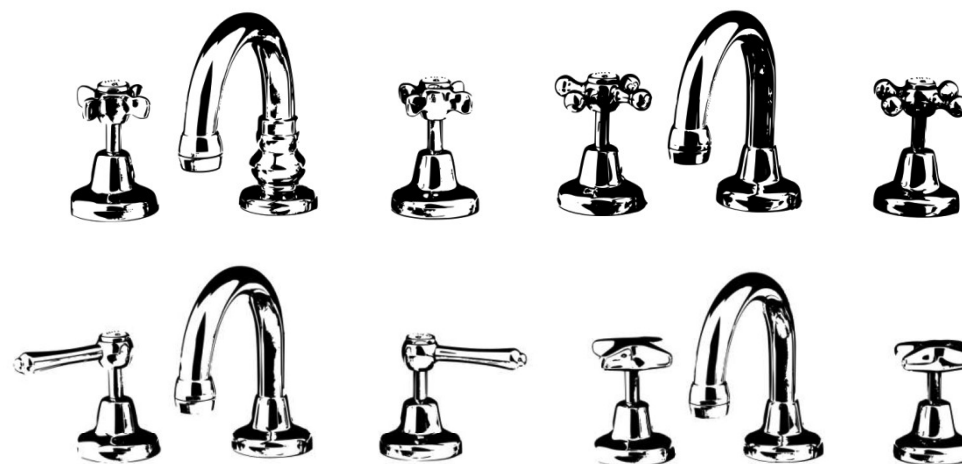
1A DELORAINIE ROAD, EDWARDSTOWN S.A. 5039

PH: (08) 8276 6766 | sales@cbideal.com.au

ABN: 98 156 625035 | ACN: 156 625 035

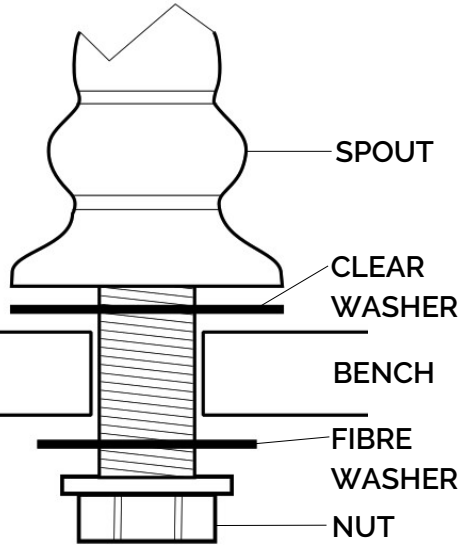
BASIN SET WITH FIXED/SWIVEL OUTLET

INSTALLATION INSTRUCTIONS

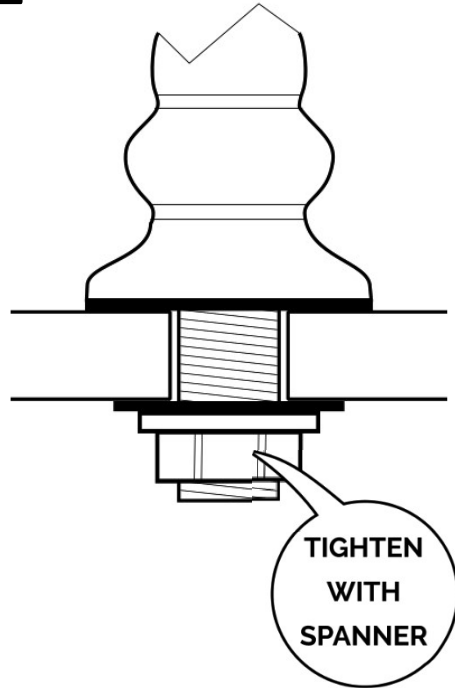


www.cbideal.com.au | sales@cbideal.com.au

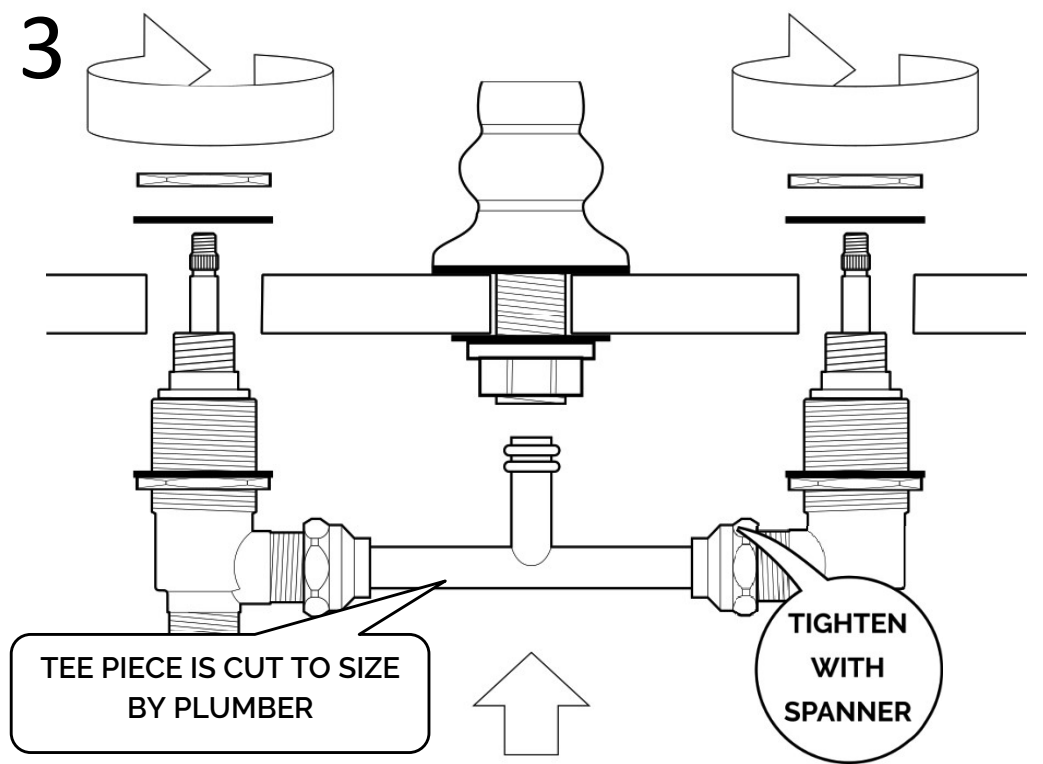
1



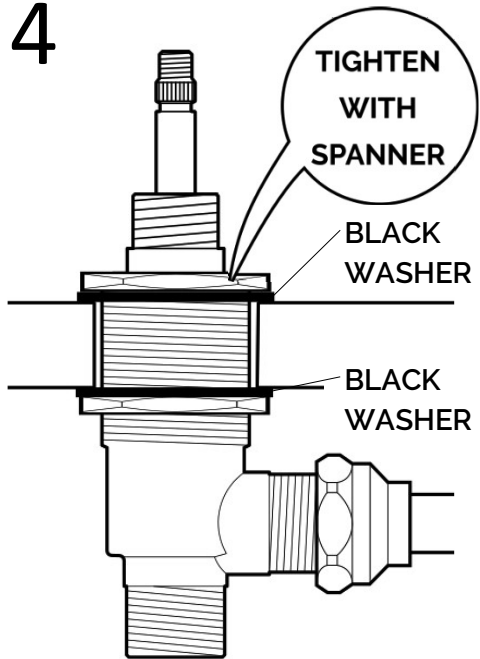
2



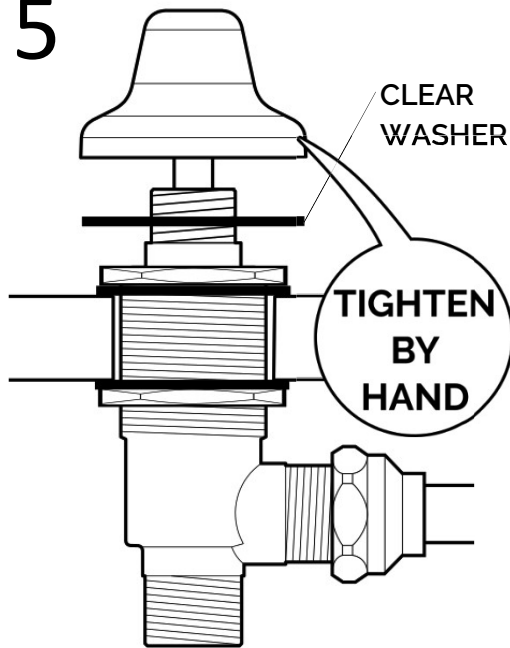
3



4



5



6

