

DETAILED WRITTEN INSTALLATION INSTRUCTIONS

1. Thread hot and cold hoses through bath filler riser.
2. Attach the hoses onto the bath filler tap assembly. Tighten with spanner.
3. Screw on bath filler tap assembly onto riser. Please ensure mating surfaces are flush with zero gap.
4. Hoses should protrude past the riser flange approximately 40mm.
5. Attach hoses one their respective hot and cold ½" BSP male threads in floor.
6. Please refer to diagram for assembly of three screws. Please ensure flange nut is sandwiched between the head of the screw and the riser flange.
7. Once all three screws have been fastened onto the floor, hand tighten cap onto flange nut.



CB IDEAL TAPWARE PTY LTD

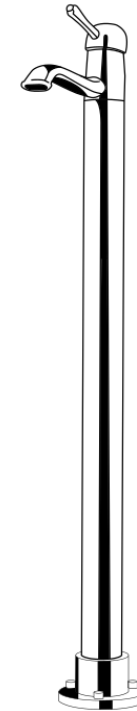
1A DELORAINIE ROAD, EDWARDSTOWN S.A. 5039

PH: (08) 8276 6766 | sales@cbideal.com.au

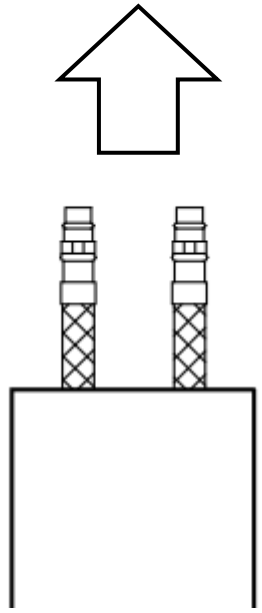
ABN: 98 156 625035 | ACN: 156 625 035

DB FLOOR MOUNTED BATH FILLER WITH FIXED OUTLET

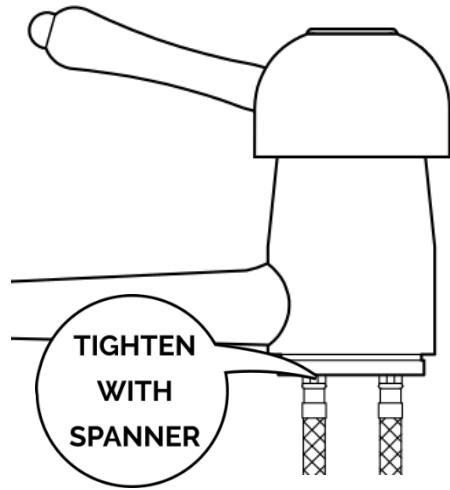
INSTALLATION INSTRUCTIONS



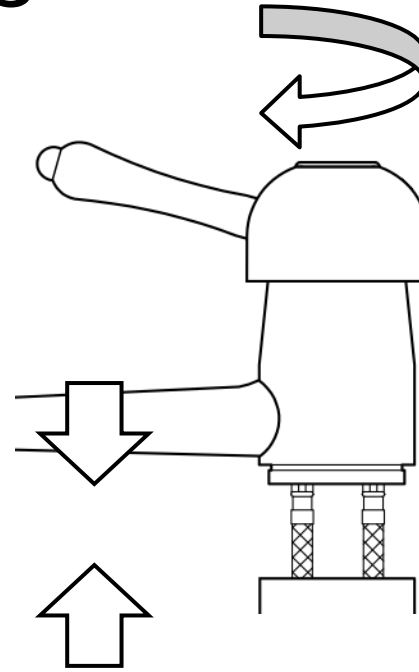
1



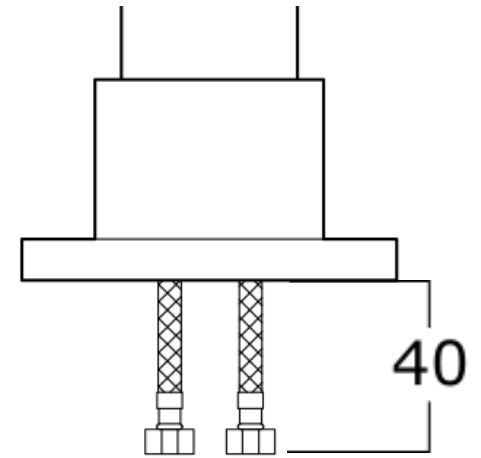
2



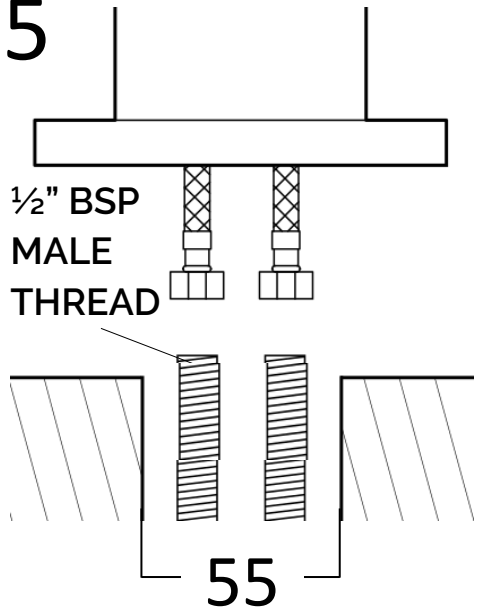
3



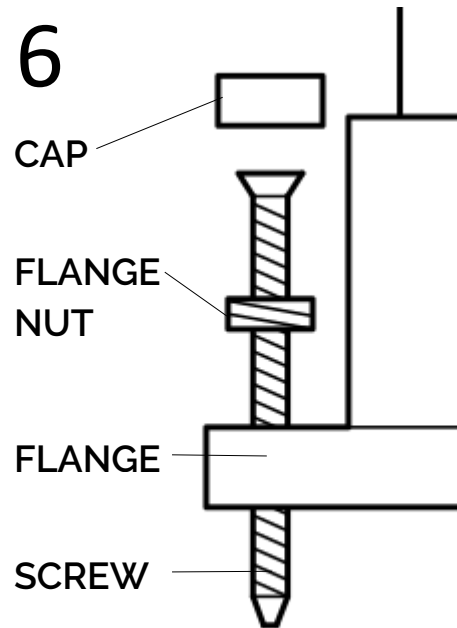
4



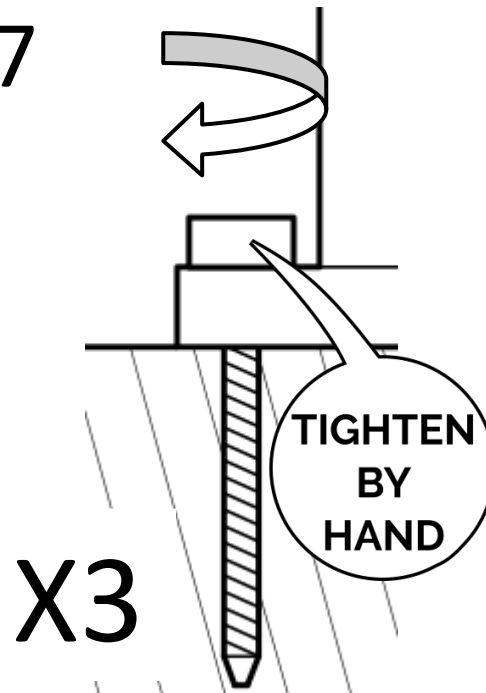
5



6



7



8

