

## DETAILED WRITTEN INSTALLATION INSTRUCTIONS

In wall requirements – 2 x ½” BSP female threads at 165mm centres.

1. Remove nuts and tails from back of diverter. Put flange, nut and washer onto each tail and screw in the “wall fittings” with 1/2” AF Hex Allan key using approved pipe sealant (*e.g. Loctite 680*) on tail thread.
2. Hold up diverter back against nuts and tighten nuts onto diverter (*Make sure fibre washer is inside nut*).
3. Fit nut and olive on cradle stem and tighten down onto diverter body.
4. Fit hose to thread connection on cradle stem.



CB IDEAL TAPWARE PTY LTD

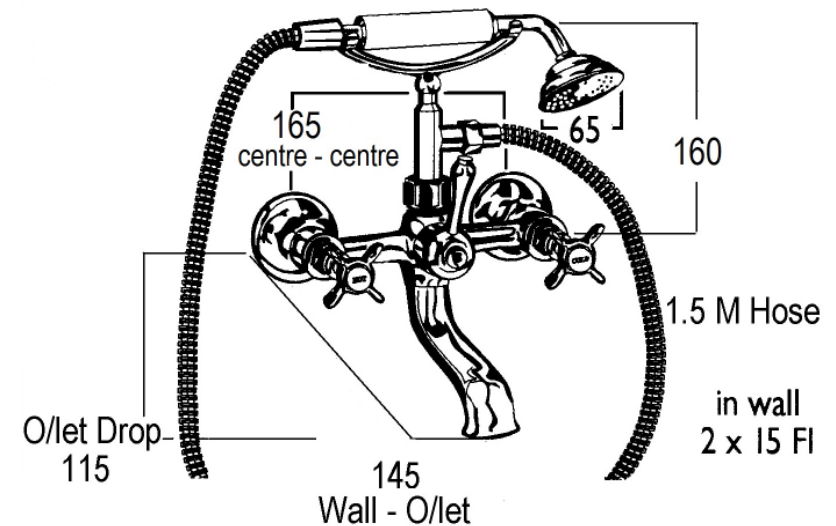
1A DELORAINE ROAD, EDWARDSTOWN S.A. 5039

PH: (08) 8276 6766 | sales@cbideal.com.au

ABN: 98 156 625035 | ACN: 156 625 035

# CAST BATH / SHOWER DIVERTER WITH CRADLE AND HANDSHOWER

## INSTALLATION INSTRUCTIONS

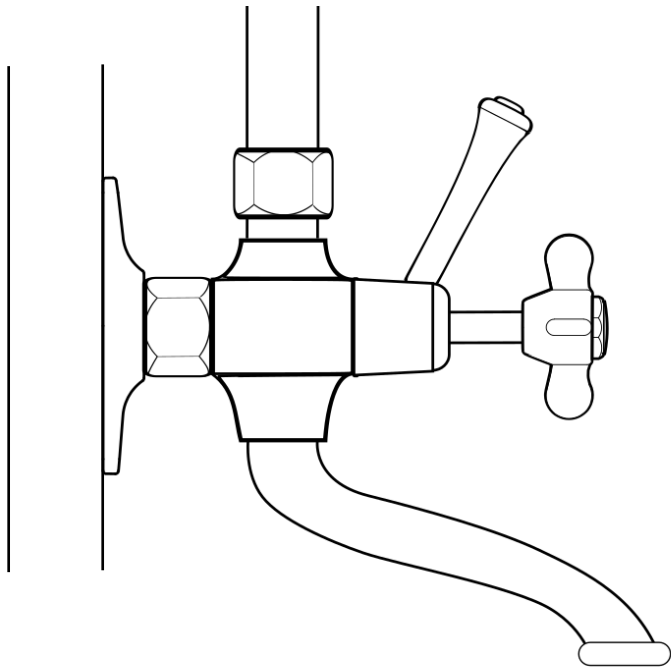
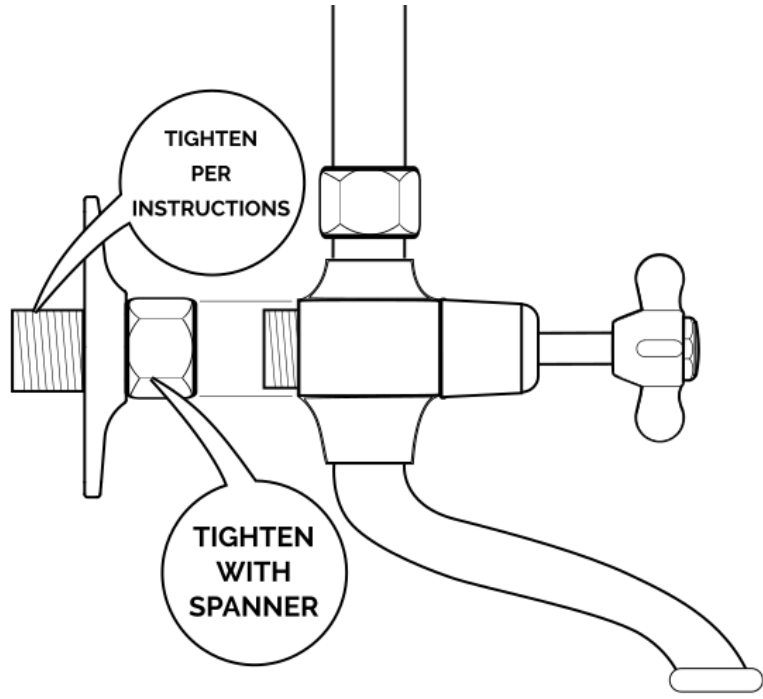


**IMPORTANT** Maximum hot water temperature 65° C and 500 kPa Maximum operating pressure at any outlet within a building (Ref AS/NZS 3500)

**WARRANTY** The Company accepts responsibility for any fault due to the Company's own workmanship or materials except for subjective variations or random unavoidable blemishes of a minor non-functional nature. This acceptance of responsibility is for 5 years from the date of installation, proof of which may be required.

[www.cbideal.com.au](http://www.cbideal.com.au) | [sales@cbideal.com.au](mailto:sales@cbideal.com.au)

1



2

