

## DETAILED WRITTEN INSTALLATION INSTRUCTIONS

In floor requirements – 2 x ½” BSP male threads at 165mm centres

1. Mount risers onto male threads in the ground at 165mm centres, turn until fully seated and with elbow outlet facing forward.
2. Assemble fibre washer onto union tail and make sure it is well seated onto the union nut.
3. & 4. Screw union nut and tail into elbow, tighten union tail making sure you use thread sealant and making sure that union nut can freely spin. Put fibre washer in after.
5. Tighten Diverter assembly onto union nuts by hand making sure Diverter assembly is upright. Tighten with spanner.
6. Cradle assembly should appear as in diagram.
7. Fit nut and olive on cradle stem and tighten down onto diverter body. Tighten with spanner.
8. Fit hose to thread connection on cradle stem. Tighten by hand.

**IMPORTANT** Maximum hot water temperature 65° C and 500 kPa Maximum operating pressure at any outlet within a building (Ref AS/NZS 3500)

**WARRANTY** The Company accepts responsibility for any fault due to the Company's own workmanship or materials except for subjective variations or random unavoidable blemishes of a minor non-functional nature. This acceptance of responsibility is for 5 years from the date of installation, proof of which may be required.



CB IDEAL TAPWARE PTY LTD

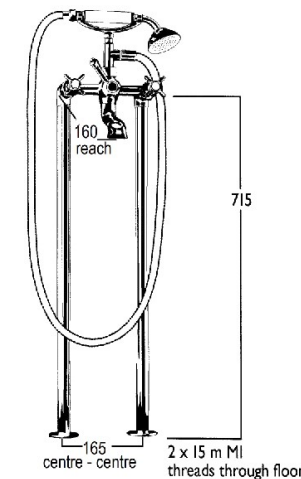
1A DELORAINIE ROAD, EDWARDSTOWN S.A. 5039

PH: (08) 8276 6766 | sales@cbideal.com.au

ABN: 98 156 625035 | ACN: 156 625 035

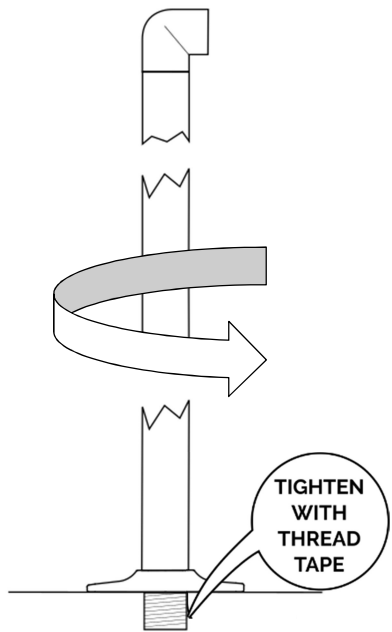
# CAST BATH / SHOWER DIVERTER WITH CRADLE & HANDSHOWER WITH FLOOR LEGS SET

## INSTALLATION INSTRUCTIONS

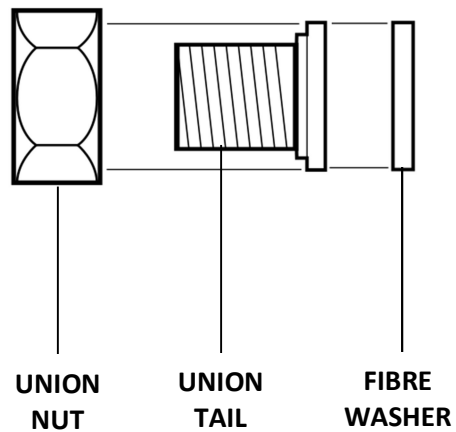


[www.cbideal.com.au](http://www.cbideal.com.au) | [sales@cbideal.com.au](mailto:sales@cbideal.com.au)

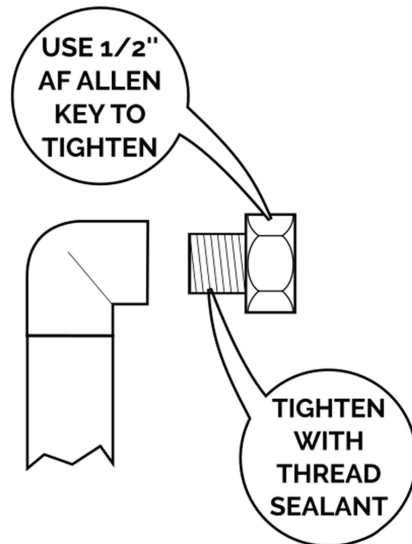
1



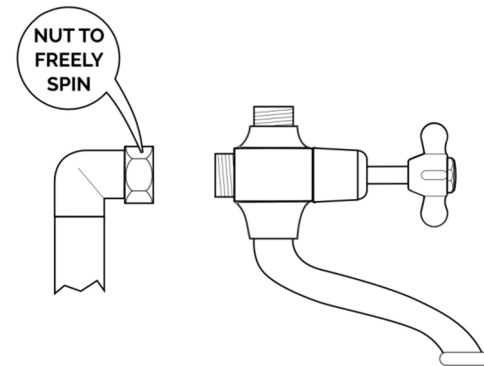
2



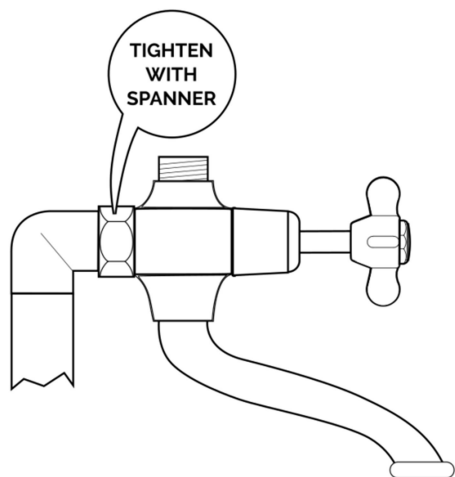
3



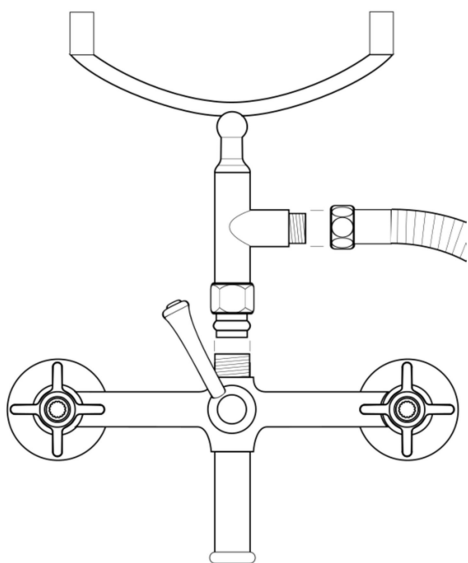
4



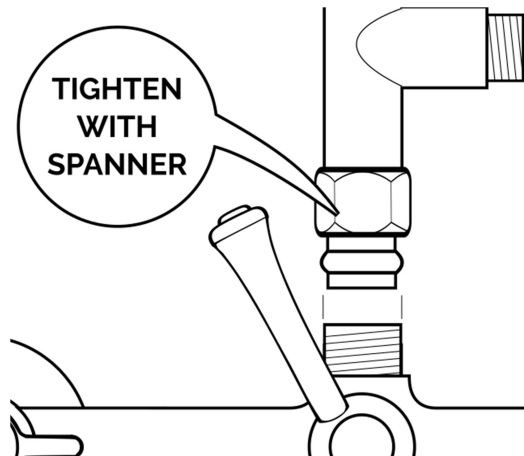
5



6



7



8

